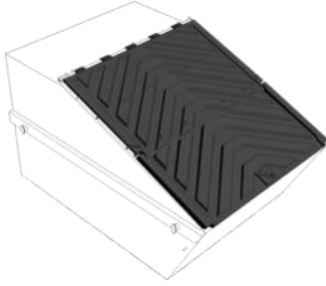




RJ7035DM - RK7048DM LID PAIR

FOR REL CONTAINERS AND SKIPS.

LIGHTWEIGHT - ROBUST - USER FRIENDLY - COST EFFICIENT



Multiple ribs and 'kiss-off' points for optimal strength.

Watertight thanks to overlapping sections.

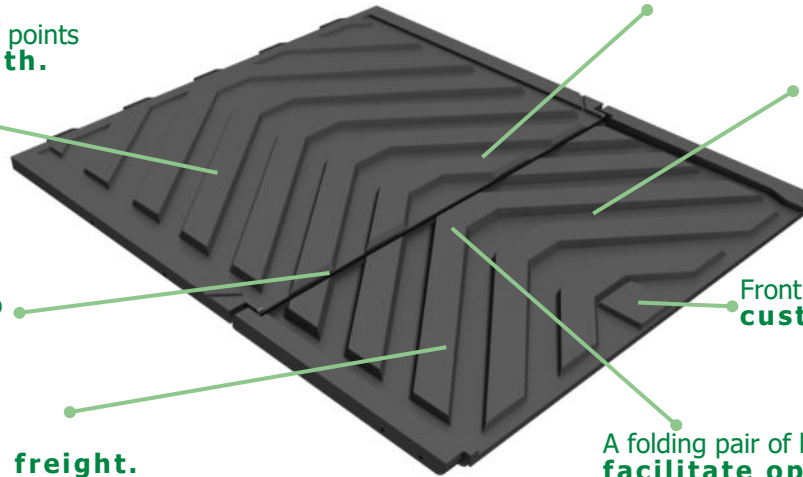
Nestable design for cost-effective freight.

Shape of the ribs helps evacuation of rain water.

Front lid can be opened independently for easy access.

Front lid can be personalised with a customised name plate.

A folding pair of lids to facilitate opening and handling.



Pair of lids with a front lid (RJ7035) and a rear lid (RK7048).

TECHNICAL DIMENSIONS

OPTIONS

> Can be purchased as a set, fully built up with steel work (SETR7035-48 lid set).

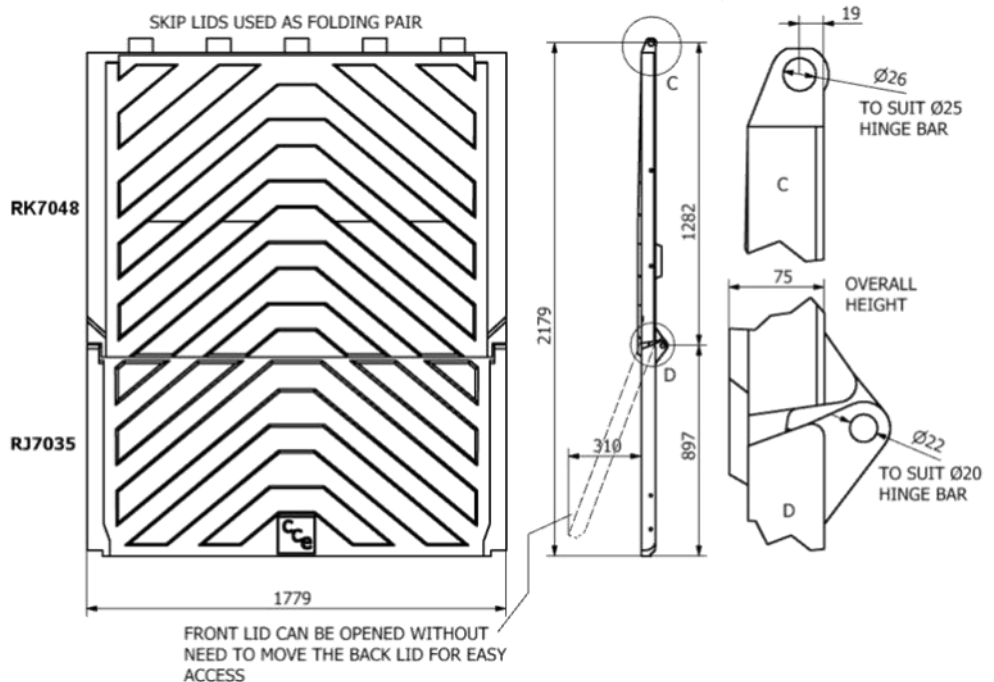
> also available in a shorter version (RJ7035/RK7040 lid pair)

MATERIAL

> Rotationally moulded from UV - stabilized LMDPE; double-walled; oil, chemical and frost resistant; 100% recyclable.

COLOURS

> Available in black and a wide variety of colours.



enq@duraflexlids.co.uk — 0044 1246 853696

www.duraflexlids.co.uk



ISO 9001 : 2015
ISO 14001 : 2015

Cert No. 8998